

HT3000-B Series IoT Cloud HMI Catalog

Model List

Model	TFT Screen	Storage	LAN	USC	COM	Voice	WiFi	Wireless	Hole Size	Dimension W*H*D
HT3000-B7H	7" 1024*600 HD	4GB + 512M	1	2	2	Yes			193×138mm	200×146×37mm
HT3000-B7HW	7" 1024*600 HD	4GB + 512M	1	2	2	Yes	Yes			
HT3000-B7HE	7" 1024*600 HD	4GB + 512M	1	2	2	Yes		Global 4G		
HT3000-B10	10.1" 1024*600	4GB + 512M	1	2	2	Yes			260×202mm	270×212×35mm
HT3000-B10W	10.1" 1024*600	4GB + 512M	1	2	2	Yes	Yes			
HT3000-B10E	10.1" 1024*600	4GB + 512M	1	2	2	Yes		Global 4G		

Products Features

- Full fit screen design, brighter color, wider view, much brighter brightness and more clear dissolutio.
- Adopt new generation hardware, the anti-interference is more stable, Integrated IoT gateway+DTU+HMI all in one.
- Supported voice function, access microphone and loudspeaker via USB, Supported text-to-speech,voice broadcasting,intercom function,innovative device cloud voice.
- Support MQTT protocol. Can be connected to database server/ERP/MES etc.
- Supports remote programming, download, firmware upgrade, debugging etc.
- Management by HTCloud Designer.



Web API interface

Third-party software and platforms can easily and securely obtain device data and control devices through the built-in Web API function using HTTP protocol, support real-time data push, support PHP, Java, C#, C++ languages. Support Internet and LAN network.



Configuration Screen Integration

Innovatively opened the integration function of the device configuration screen to third parties. Through a safe and easy-to-use interface, the device screen can be integrated into a variety of personalized scenarios such as third-party software, websites, APPs. Let third-party applications immediately have the remote control capabilities of the device.



Multiple security protection mechanisms

Higher safety level with A/B Key + local confirmation safety mechanism, ensure the safe and stable operation of equipments.



Integrated Cloud access & alarm notification

Remote devices can be accessed through IoTBus Cloud APP and website. Supports real-time abnormal alarm notification.



Support Cloud maintenance for equipment manufacturers

Provide exclusive maintain identity for equipment manufacturers, as well as exclusive enterprise platforms. More convenient for equipment vendors.

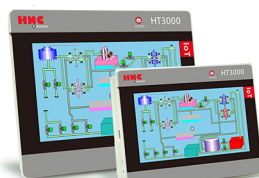


Support data interconnection and distribution

By the data interconnection tool, real-time data/historical data can be stored in databases such as MySQL/SQL Server, and data distribution is supported, help to generate various data reports.



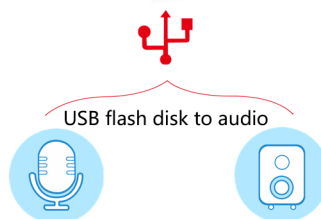
Supported text-to-speech, automatically broadcast alarm information of Chinese and English



Supported to broadcast fast batch voice notification through the device



Supported the intercom function, easily communicate by devices in groups



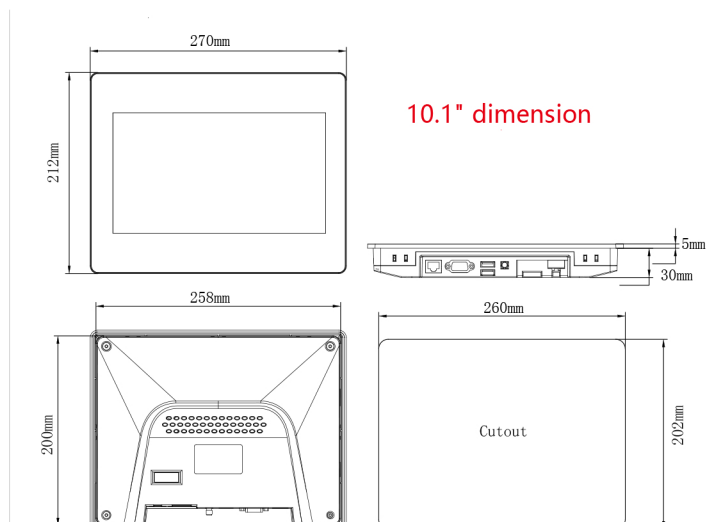
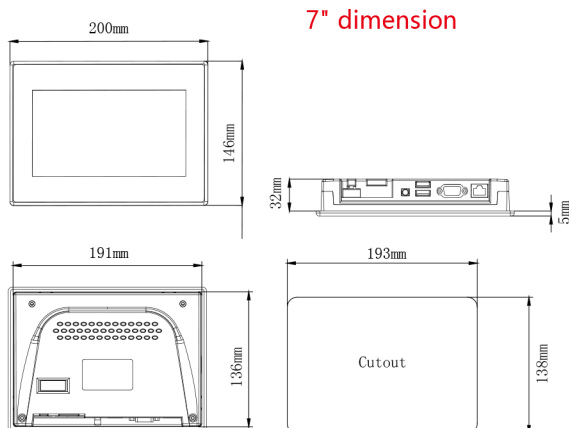
The innovative device cloud voice, support mobile phone remotely intercom and broadcast



Products Specification

Specification		7"	10.1"
Software	Programming software	HTCloud Designer	
Display	Display screen	7" TFT	10.1" TFT
	Resolution	1024x600pixels	1024x600pixels
	Color	16M	16M
	Brightness(cd/m ²)	350	350
	Touch Type	Resistive Type	Resistive Type
Storage	Flash	4GB	4GB
	RAM	512M	512M
Backlight	Backlight Type	LED	LED
	Backlight Life Time	> 30000H	> 30000H
	Automatic Dormancy	Support and Configurable	Support and Configurable
I/O port	WIFI	Optional	Optional
	4G	Optional	Optional
	COM port	2 (232/485)	2 (232/485)
	Ethernet Port	10/100 Base-T	10/100 Base-T
	USB HOST	USB2.0 x 2	USB2.0 x 2
	Print Port	COM Port/USB Print	COM Port/USB Print
Power	Input power	24±20%VDC	24±20%VDC
	Power Consumption	7W	10W
	Voltage Resistance	500VAC	500VAC
	Isolation Resistance	Exceed 50MΩ @500VDC	Exceed 50MΩ @500VDC
	Vibration Endurance	10 ~ 25 Hz (X, Y, Z direction 2G/30 minutes)	10 ~ 25 Hz (X, Y, Z direction 2G/30 minutes)
Environment	Cooling Type	Natural air Cooling	Natural air Cooling
	Protection Structure	IP65	IP65
	Storage Temperature	-20 ~70°C	-20 ~70°C
	Operating Temperature	-10°C ~ 60°C	-10°C ~ 60°C
	Relative Humidity	10 ~ 90%RH (non-condensing)	10 ~ 90%RH (non-condensing)
Structure	Shell material	ABS + PC	ABS + PC
	Shape size (WxHxD)	200x146x37mm	270x212x35mm
	Cutout size(WxH)	193x138mm	260x202mm
	Net weight	0.8kg	1.3kg

Dimension





Thanks for choosing HNC product
Any technique support, please feel to contact our support team

URL: www.hncelectric.com
Email: info@hncelectric.com